



Product Manual

Momentum 7200.4 SATA

ST9500420AS

ST9320423AS

ST9250410AS

ST9160412AS

ST9120410AS

ST980412AS

ST9500420ASG

ST9320423ASG

ST9250410ASG

ST9160412ASG

ST9120410ASG

ST980412ASG

© 2010 Seagate Technology LLC. All rights reserved.

Publication number: 100534376, Rev. C, November 2010

Seagate, Seagate Technology and the Wave logo are registered trademarks of Seagate Technology LLC in the United States and/or other countries. Momentus and SeaTools are either trademarks or registered trademarks of Seagate Technology LLC or one of its affiliated companies in the United States and/or other countries. All other trademarks or registered trademarks are the property of their respective owners.

No part of this publication may be reproduced in any form without written permission of Seagate Technology LLC. Call 877-PUB-TEK1(877-782-8351) to request permission.

One gigabyte, or GB, equals one billion bytes and one terabyte, or TB, equals one trillion bytes. Your computer's operating system may use a different standard of measurement and report a lower capacity. In addition, some of the listed capacity is used for formatting and other functions, and thus will not be available for data storage. Seagate reserves the right to change, without notice, product offerings or specifications.

Contents

| | | |
|------------|--|-----------|
| 1.0 | Introduction | 1 |
| 1.1 | About the Serial ATA interface | 2 |
| 2.0 | Drive specifications | 3 |
| 2.1 | Specification summary table | 3 |
| 2.2 | Formatted capacity | 5 |
| 2.2.1 | LBA mode | 5 |
| 2.3 | Default logical geometry | 5 |
| 2.4 | Physical organization | 5 |
| 2.5 | Recording and interface technology | 6 |
| 2.6 | Physical characteristics | 6 |
| 2.7 | Seek time | 7 |
| 2.8 | Start/stop times | 7 |
| 2.9 | Power specifications | 8 |
| 2.9.1 | Power consumption | 8 |
| 2.9.2 | Conducted noise | 10 |
| 2.9.3 | Voltage tolerance | 10 |
| 2.9.4 | Power-management modes | 11 |
| 2.10 | Environmental specifications | 12 |
| 2.10.1 | Ambient temperature | 12 |
| 2.10.2 | Temperature gradient | 12 |
| 2.10.3 | Relative humidity | 12 |
| 2.10.4 | Wet bulb temperature | 12 |
| 2.10.5 | Altitude | 12 |
| 2.10.6 | Shock | 12 |
| 2.10.7 | Vibration | 13 |
| 2.11 | Acoustics | 13 |
| 2.12 | Electromagnetic immunity | 14 |
| 2.13 | Reliability | 14 |
| 2.13.1 | Free Fall Protection feature | 14 |
| 2.14 | Agency certification | 15 |
| 2.14.1 | Safety certification | 15 |
| 2.14.2 | Electromagnetic compatibility | 15 |
| 2.14.3 | FCC verification | 15 |
| 2.15 | Environmental protection | 17 |
| 2.15.1 | European Union Restriction of Hazardous Substances (RoHS) | 17 |
| 2.15.2 | China Restriction of Hazardous Substances (RoHS) Directive | 17 |
| 2.16 | Corrosive environment | 18 |
| 3.0 | Configuring and mounting the drive | 19 |
| 3.1 | Handling and static-discharge precautions | 19 |
| 3.2 | Configuring the drive | 20 |
| 3.3 | Serial ATA cables and connectors | 20 |
| 3.4 | Drive mounting | 21 |
| 4.0 | Serial ATA (SATA) interface | 22 |
| 4.1 | Hot-Plug compatibility | 22 |
| 4.2 | Serial ATA device plug connector pin definitions | 23 |
| 4.3 | Supported ATA commands | 24 |
| 4.3.1 | Identify Device command | 26 |
| 4.3.2 | Set Features command | 30 |
| 4.3.3 | S.M.A.R.T. commands | 31 |
| 5.0 | Seagate Technology support services | 32 |

List of Figures

| | | |
|-----------|--|----|
| Figure 1. | Typical +5V only startup and operation current profile | 9 |
| Figure 2. | Serial ATA connectors | 20 |
| Figure 3. | Attaching SATA cabling | 20 |
| Figure 4. | Mounting dimensions—top, side and end view | 21 |

1.0 Introduction

This manual describes the functional, mechanical and interface specifications for the following Seagate Momentus® 7200.4 SATA model drives:

| Standard models | Free Fall Protection models |
|------------------------|------------------------------------|
| ST9500420AS | ST9500420ASG |
| ST9320423AS | ST9320423ASG |
| ST9250410AS | ST9250410ASG |
| ST9160412AS | ST9160412ASG |
| ST9120410AS | ST9120410ASG |
| ST980412AS | ST980412ASG |

These drives provide the following key features:

- 7200-RPM spindle speed.
- 16-Mbyte buffer.
- Free Fall Protection (on ST9500420ASG, ST9320423ASG, ST9250410ASG, ST9160412ASG, ST9120410ASG and ST980412ASG models only)
- Quiet operation. Fluid Dynamic Bearing (FDB) motor.
- High instantaneous (burst) data-transfer rates (up to 3.0 Gbits per second).
- Perpendicular recording technology.
- State-of-the-art cache and on-the-fly error-correction algorithms.
- Native Command Queuing (NCQ) with command ordering.
- Full-track multiple-sector transfer capability without local processor intervention.
- 1000 Gs nonoperating shock and 350 Gs of operating shock.
- SeaTools diagnostic software performs a drive self-test that eliminates unnecessary drive returns.
- The 3D Defense System™, which includes Drive Defense, Data Defense and Diagnostic Defense, offers the industry's most comprehensive protection for disc drives.
- Support for S.M.A.R.T. drive monitoring and reporting.
- Support for Read Multiple and Write Multiple commands.

1.1 About the Serial ATA interface

The Serial ATA interface provides several advantages over the traditional (parallel) ATA interface. The primary advantages include:

- Easy installation and configuration with true plug-and-play connectivity. It is not normally necessary to set any jumpers or other configuration options.
- Thinner and more flexible cabling for improved enclosure airflow and ease of installation.
- Scalability to higher performance levels.

In addition, Serial ATA makes the transition from parallel ATA easy by providing legacy software support. Serial ATA was designed to allow you to install a Serial ATA host adapter and Serial ATA disc drive in your current system and expect all of your existing applications to work as normal.

The Serial ATA interface connects each disc drive in a point-to-point configuration with the Serial ATA host adapter. There is no master/slave relationship with Serial ATA devices like there is with parallel ATA. If two drives are attached on one Serial ATA host adapter, the host operating system views the two devices as if they were both “masters” on two separate ports. This essentially means both drives behave as if they are Device 0 (master) devices.

Note. The host adapter may, optionally, emulate a master/slave environment to host software where two devices on separate Serial ATA ports are represented to host software as a Device 0 (master) and Device 1 (slave) accessed at the same set of host bus addresses. A host adapter that emulates a master/slave environment manages two sets of shadow registers. This is not a typical Serial ATA environment.

The Serial ATA host adapter and drive share the function of emulating parallel ATA device behavior to provide backward compatibility with existing host systems and software. The Command and Control Block registers, PIO and DMA data transfers, resets, and interrupts are all emulated.

The Serial ATA host adapter contains a set of registers that shadow the contents of the traditional device registers, referred to as the Shadow Register Block. All Serial ATA devices behave like Device 0 devices. For additional information about how Serial ATA emulates parallel ATA, refer to the “Serial ATA: High Speed Serialized AT Attachment” specification. The specification can be downloaded from <http://www.serialata.org>.

2.0 Drive specifications

Unless otherwise noted, all specifications are measured under ambient conditions, at 25°C, and nominal power.

2.1 Specification summary table

The specifications listed in this table are for quick reference. For details on specification measurement or definition, see the appropriate section of this manual.

Table 1: Drive specifications

| Drive specification | ST9500420AS ST9500420ASG | ST9320423AS ST9320423ASG | ST9250410AS ST9250410ASG | ST9160412AS ST9160412ASG | ST9120410AS ST9120410ASG | ST980412AS ST980412ASG |
|---|--|-----------------------------|-----------------------------|-----------------------------|-----------------------------|---------------------------|
| Formatted GB (512 bytes/sector)* | 500 | 320 | 250 | 160 | 120 | 80 |
| Guaranteed sectors | 976,773,168 | 625,142,448 | 488,397,168 | 312,581,808 | 234,441,648 | 156,301,488 |
| Bytes per sector | 512 | | | | | |
| Physical read/write heads | 4 | 3/4 | 2 | 2 | 1/2 | 1 |
| Discs | 2 | 2 | 1 | 1 | 1 | 1 |
| Cache (Mbytes) | 16 | | | | | |
| Recording density in BPI (max) | 1490k | | | | | |
| Track density TPI (max) | 265k | | | | | |
| Areal density (Gb/in ² max) | 394 | | | | | |
| Spindle speed (RPM) | 7200 | | | | | |
| Average latency (msec) | 4.17 | | | | | |
| Internal transfer rate (Gb/s max) | 1.23 | | | | | |
| I/O data transfer rate (Gb/s max) | 3.0 | | | | | |
| ATA data-transfer modes supported | SATA 1.0, Serial ATA Revision 2.6 PIO modes 0–4 Multiword DMA modes 0–2 Ultra DMA modes 0–6 | | | | | |
| Height (max) | 9.5 +/- 0.2 mm (0.370 +/- .008 in) | | | | | |
| Width (max) | 69.85 +/- 0.25 mm (2.750 +/- 0.010 in) | | | | | |
| Length (max) | 100.35 +0.20 / -0.25 mm (3.951 +0 .008 / -0.010 in) | | | | | |
| Weight (max) | 110 grams (0.238 lb) | | | 105 grams (0.227 lb) | | |
| Power-on to ready (sec typical) | 4.5 | | | | | |
| Standby to ready (sec typical) | 3.0 | | | | | |
| Track-to-track seek time, read (ms typical) | 1.5 | | | | | |
| Average seek, read (ms typical) | 11.0 | | | | | |
| Average seek, write (ms typical) | 13.0 | | | | | |
| Startup current, +5V (max) | 1.0 amps | | | | | |
| Seek power (typical) | 2.2 watts | | | | | |

Table 1: Drive specifications

| Drive specification | ST9500420AS ST9500420ASG | ST9320423AS ST9320423ASG | ST9250410AS ST9250410ASG | ST9160412AS ST9160412ASG | ST9120410AS ST9120410ASG | ST980412AS ST980412ASG |
|---|--|-----------------------------|-----------------------------|-----------------------------|-----------------------------|---------------------------|
| Read power (typical) | 2.1 watts | | | | | |
| Write power (typical) | 2.2 watts | | | | | |
| Idle mode, low power (typical) | 0.69 watts | | | | | |
| Standby mode | 0.20 watts (typical)*** | | | | | |
| Sleep mode | 0.20 watts (typical)*** | | | | | |
| Voltage tolerance (including noise) | +5V ± 5% | | | | | |
| Ambient temperature | 0°C to 60°C (operating) -40°C to 70°C (nonoperating) | | | | | |
| Temperature gradient (°C per hour max) | 20°C (operating), 35°C (nonoperating) | | | | | |
| Relative humidity | 5% to 95% (operating and nonoperating) | | | | | |
| Relative humidity gradient | 30% per hour max | | | | | |
| Wet bulb temperature (°C max) | 37.7 (operating) 40 (nonoperating) | | | | | |
| Altitude, operating | -304.8 m to 3048 m (-1000 ft to 10,000+ ft) | | | | | |
| Altitude, nonoperating (meters below mean sea level, max) | -304.8 m to 12,192 m (-1000 ft to 40,000+ ft) | | | | | |
| Shock, operating (Gs max at 2 msec) | 350 | | | | | |
| Shock, nonoperating (Gs max at 2 msec) | 800 | | | | | |
| Shock, nonoperating (Gs max at 1 msec) | 1,000 | | | | | |
| Shock, nonoperating (Gs max at 0.5 msec) | 600 | | | | | |
| Vibration, operating | 1.0 G (0 to peak, 5–500 Hz) | | | | | |
| Vibration, nonoperating | 5 Gs (0 to peak, 5–500 Hz) | | | | | |
| Drive acoustics, sound power (bels) | | | | | | |
| Idle** | 2.3 (typical) 2.5 (max) | | | | | |
| Performance seek | 2.6 (typical) 2.7 (max) | | | | | |
| Nonrecoverable read errors | 1 per 10 ¹⁴ bits read | | | | | |
| Annualized Failure Rate (AFR) | 0.5% | | | | | |
| Load/Unload (U/UL) cycles | | | | | | |
| 25°C, 50% relative humidity | 600,000 software-controlled power on/off cycles 50,000 hard power on/off cycles | | | | | |
| 32°C, 80% relative humidity | 600,000 software-controlled power on/off cycles | | | | | |
| 5°C, 80% relative humidity | 50,000 hard power on/off cycles | | | | | |
| 5°C, 10% relative humidity | | | | | | |
| 55°C, 16% relative humidity | | | | | | |
| Warranty | For information regarding Warranty Support, visit http://www.seagate.com/www/en-us/support/warranty_&_returns_assistance | | | | | |
| Supports Hotplug operation per Serial ATA Revision 2.6 specification | Yes (requires COMRESET from host after a hotplug event) | | | | | |

*One Gbyte equals one billion bytes when referring to hard drive capacity. Accessible capacity may vary depending on operating environment and formatting.

**During periods of drive idle, some offline activity may occur according to the S.M.A.R.T. specification, which may increase acoustic and power to operational levels.

***Typical notebooks will pull power to the drive when entering S3 and S4; while in the S3 and S4 states, drive sleep and drive standby modes will not contribute to battery power consumption.

2.2 Formatted capacity

| Model | Formatted capacity* | Guaranteed sectors | Bytes per sector |
|------------------------------|---------------------|--------------------|------------------|
| ST9500420AS and ST9500420ASG | 500 Gbytes | 976,773,168 | 512 |
| ST9320423AS and ST9320423ASG | 320 Gbytes | 625,142,448 | 512 |
| ST9250410AS and ST9250410ASG | 250 Gbytes | 488,397,168 | 512 |
| ST9160412AS and ST9160412ASG | 160 Gbytes | 312,581,808 | 512 |
| ST9120410AS and ST9120410ASG | 120 Gbytes | 234,441,648 | 512 |
| ST980412AS and ST980412ASG | 80 Gbytes | 156,301,488 | 512 |

*One Gbyte equals one billion bytes when referring to hard drive capacity. Accessible capacity may vary depending on operating environment and formatting.

2.2.1 LBA mode

When addressing these drives in LBA mode, all blocks (sectors) are consecutively numbered from 0 to $n-1$, where n is the number of guaranteed sectors as defined above.

See Section 4.3.1, "Identify Device command" (words 60-61 and 100-103) for additional information about 48-bit addressing support of drives with capacities over 137 Gbytes.

2.3 Default logical geometry

| Cylinders | Read/write heads | Sectors per track |
|-----------|------------------|-------------------|
| 16,383 | 16 | 63 |

LBA mode

When addressing these drives in LBA mode, all blocks (sectors) are consecutively numbered from 0 to $n-1$, where n is the number of guaranteed sectors as defined above.

2.4 Physical organization

| Drive model | Read/write heads | Number of discs |
|------------------------------|------------------|-----------------|
| ST9500420AS and ST9500420ASG | 4 | 2 |
| ST9320423AS and ST9320423ASG | 3/4 | 2 |
| ST9250410AS and ST9250410ASG | 2 | 1 |
| ST9160412AS and ST9160412ASG | 2 | 1 |
| ST9120410AS and ST9120410ASG | 1/2 | 1 |
| ST980412AS and ST980412ASG | 1 | 1 |

2.5 Recording and interface technology

| | |
|---|---------------------------|
| Interface | Serial ATA (SATA) |
| Recording method | Perpendicular |
| Recording density BPI (bits/inch max) | 1490k |
| Track density TPI (tracks/inch max) | 265k |
| Areal density (Gbits/inch ² max) | 394 |
| Spindle speed (RPM) ($\pm 0.2\%$) | 7200 |
| Maximum Internal transfer rate (Gbits/sec) | 1.23 |
| I/O data-transfer rate (Gbits/sec max) | 3.0 |
| Interleave | 1:1 |
| Cache buffer | 16 Mbytes (16,384 kbytes) |

2.6 Physical characteristics

| Drive specification | | |
|---------------------|------------------|--|
| Height | (mm) (inches) | 9.5 +/-0.2 0.370 +/-0.008 |
| Width | (mm) (inches) | 69.85 +/-0.25 2.750 +/-0.010 |
| Length | (mm) (inches) | 100.35 +0.20 / -0.25 3.951 +0.008 / -.010 |
| Typical weight | | |
| ST9500420AS | | 110 grams |
| ST9500420ASG | | 0.238 pounds |
| ST9320423AS | | |
| ST9320423ASG | | |
| ST9250410AS | | 105 grams |
| ST9250410ASG | | 0.227 pounds |
| ST9160412AS | | |
| ST9160412ASG | | |
| ST9120410AS | | |
| ST9120410ASG | | |
| ST980412AS | | |
| ST980412ASG | | |

2.7 Seek time

Seek measurements are taken with nominal power at 25°C ambient temperature. All times are measured using drive diagnostics. The specifications in the table below are defined as follows:

- Track-to-track seek time is an average of all possible single-track seeks in both directions.
- Average seek time is a true statistical random average of at least 5000 measurements of seeks between random tracks, less overhead.

Table 2: Typical seek times

| Typical seek times (msec) | Read |
|---------------------------|------|
| Track-to-track | 1.5 |
| Average | 11.0 |
| Full-stroke | 22.0 |
| Average latency | 4.17 |

Note. These drives are designed to consistently meet the seek times represented in this manual. Physical seeks, regardless of mode (such as track-to-track and average), are expected to meet the noted values. However, due to the manner in which these drives are formatted, benchmark tests that include command overhead or measure logical seeks may produce results that vary from these specifications.

2.8 Start/stop times

| Time to ready | Typical | Max @ 25°C |
|-------------------------|---------|------------|
| Power-on to Ready (sec) | 4.5 | 5.0 |
| Standby to Ready (sec) | 3.0 | 3.5 |

2.9 Power specifications

The drive receives DC power (+5V) through a native SATA power connector.

2.9.1 Power consumption

Power requirements for the drives are listed in the table on page 8. Typical power measurements are based on an average of drives tested, under nominal conditions, at 25°C ambient temperature.

- **Spinup power**

Spinup power is measured from the time of power-on to the time that the drive spindle reaches operating speed.

- **Seek mode**

During seek mode, the read/write actuator arm moves toward a specific position on the disc surface and does not execute a read or write operation. Servo electronics are active. Seek mode power is measured based on three random seek operations every 100 msec. This mode is not typical.

- **Read/write power and current**

Read/write power is measured with the heads on track, based on three 63 sector read or write operations every 100 msec.

- **Idle mode power**

Idle mode power is measured with the drive up to speed, with servo electronics active and with the heads in a random track location.

- **Standby mode**

During Standby mode, the drive accepts commands, but the drive is not spinning, and the servo and read/write electronics are in power-down mode.

Table 3: DC power

| Power dissipation | +5V input average (25° C) |
|-----------------------|---------------------------|
| Spinup (max) | 1.0 amps |
| Seek | 2.2 watts |
| Read | 2.1 watts |
| Write | 2.2 watts |
| Idle, performance* | 1.4 watts |
| Idle, active* | 1.0 watts |
| Idle, low power mode* | 0.69 watts |
| Standby | 0.20 watts |
| Sleep | 0.20 watts |

*During periods of drive idle, some offline activity may occur according to the S.M.A.R.T. specification, which may increase acoustic and power to operational levels.

2.9.1.1 Typical current profile

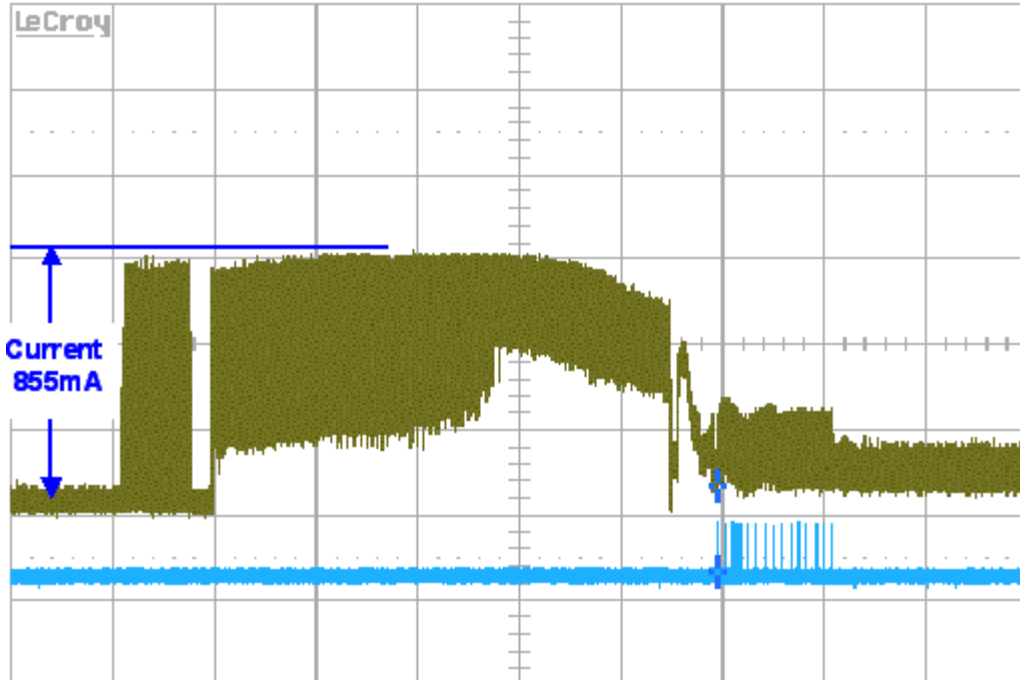


Figure 1. Typical +5V only startup and operation current profile

2.9.2 Conducted noise

Input noise ripple is measured at the host system power supply across an equivalent 15-ohm resistive load on the +5 volt line.

Using 5-volt power, the drive is expected to operate with a maximum of 100 mV peak-to-peak square-wave injected noise at up to 10 MHz.

Note. Equivalent resistance is calculated by dividing the nominal voltage by the typical RMS read/write current.

2.9.3 Voltage tolerance

Voltage tolerance (including noise):

5V \pm 5%

2.9.4 Power-management modes

The drive provides programmable power management to provide greater energy efficiency. In most systems, you can control power management through the system setup program. The drive features the following power-management modes:

Table 4: Power management modes

| Power modes | Heads | Spindle | Buffer |
|--------------------|----------|----------|------------------------|
| Active (operating) | Tracking | Rotating | Full power |
| Idle, performance | Tracking | Rotating | Self refresh—low power |
| Idle, active | Floating | Rotating | Self refresh—low power |
| Idle, low power | Parked | Rotating | Self refresh—low power |
| Standby | Parked | Stopped | Self refresh—low power |
| Sleep | Parked | Stopped | Self refresh—low power |

- **Active mode**

The drive is in Active mode during the read/write and seek operations.

- **Idle mode**

The buffer remains enabled, and the drive accepts all commands and returns to Active mode any time disc access is necessary.

- **Standby mode**

The drive enters Standby mode when the host sends a Standby Immediate command. If the host has set the standby timer, the drive can also enter Standby mode automatically after the drive has been inactive for a specifiable length of time. The standby timer delay is established using a Standby or Idle command. In Standby mode, the drive buffer is in Self Refresh Low Power mode, the heads are parked and the spindle is at rest. The drive accepts all commands and returns to Active mode any time disc access is necessary.

- **Sleep mode**

The drive enters Sleep mode after receiving a Sleep command from the host. In Sleep mode, the drive buffer is in Self Refresh Low Power mode, the heads are parked and the spindle is at rest. The drive leaves Sleep mode after it receives a Hard Reset or Soft Reset from the host. After receiving a reset, the drive exits Sleep mode and enters Standby mode with all current translation parameters intact.

- **Idle and Standby timers**

Each time the drive performs an Active function (read, write or seek), the standby timer is reinitialized and begins counting down from its specified delay times to zero. If the standby timer reaches zero before any drive activity is required, the drive makes a transition to Standby mode. In both Idle and Standby mode, the drive accepts all commands and returns to Active mode when disc access is necessary.

2.10 Environmental specifications

This section provides the temperature, humidity, shock, and vibration specifications for Momentus 7200.4 SATA drives.

2.10.1 Ambient temperature

Ambient temperature is defined as the temperature of the environment immediately surrounding the drive. Actual drive case temperature should not exceed 65°C (149°F) within the operating ambient conditions.

Above 1000 feet (305 meters), the maximum temperature is derated linearly by 1°C every 1000 feet.

| | |
|---------------|--------------------------------|
| Operating: | 0°C to 60°C (32°F to 140°F) |
| Nonoperating: | -40°C to 70°C (-40°F to 158°F) |

2.10.2 Temperature gradient

| | |
|--------------|---|
| Operating | 20°C per hour (68°F per hour max), without condensation |
| Nonoperating | 35°C per hour (95°F per hour max), without condensation |

2.10.3 Relative humidity

| | |
|--------------|--|
| Operating | 5% to 95% noncondensing (30% per hour max) |
| Nonoperating | 5% to 95% noncondensing (30% per hour max) |

2.10.4 Wet bulb temperature

| | |
|--------------|---------------------|
| Operating | 37.7°C (99.8°F max) |
| Nonoperating | 40°C (104°F max) |

2.10.5 Altitude

| | |
|--------------|---|
| Operating | -304.8 m to 3048 m (-1000 ft to 10,000+ ft) |
| Nonoperating | -304.8 m to 12,192 m (-1000 ft to 40,000+ ft) |

2.10.6 Shock

All shock specifications assume that the drive is mounted securely with the input shock applied at the drive mounting screws. Shock may be applied in the X, Y or Z axis.

Note. Additional shock protection is provided by the Free Fall Protection feature on ST9500420ASG, ST9320423ASG, ST9250410ASG, ST9160412ASG, ST9120410ASG and ST980412ASG models. See Section 2.13.1 for additional information about this feature.

2.10.6.1 Operating shock

These drives comply with the performance levels specified in this document when subjected to a maximum operating shock of 350 Gs based on half-sine shock pulses of 2 msec. Shocks should not be repeated more than one time per axis.

2.10.6.2 Nonoperating shock

The nonoperating shock level that the drive can experience without incurring physical damage or degradation in performance when subsequently put into operation is 800 Gs based on a nonrepetitive half-sine shock pulse of 2 msec duration.

The nonoperating shock level that the drive can experience without incurring physical damage or degradation in performance when subsequently put into operation is 1000 Gs based on a nonrepetitive half-sine shock pulse of 1 msec duration.

The nonoperating shock level that the drive can experience without incurring physical damage or degradation in performance when subsequently put into operation is 600 Gs based on a nonrepetitive half-sine shock pulse of 0.5 msec duration.

2.10.7 Vibration

All vibration specifications assume that the drive is mounted securely with the input vibration applied at the drive mounting screws. Vibration may be applied in the X, Y or Z axis.

2.10.7.1 Operating vibration

The maximum vibration levels that the drive may experience while meeting the performance standards specified in this document are specified below.

| | |
|----------|---|
| 5–500 Hz | 1.0 Gs (0 to peak). Max displacement may apply below 10 Hz. |
|----------|---|

2.10.7.2 Nonoperating vibration

The maximum nonoperating vibration levels that the drive may experience without incurring physical damage or degradation in performance when subsequently put into operation are specified below.

| | |
|-----------|---|
| 5–500 Hz: | 5 Gs (0 to peak). Max displacement may apply below 22 Hz. |
|-----------|---|

2.11 Acoustics

Drive emission of sound is measured consistent with the ECMA-74 and its referenced standards. Testing is conducted at room temperature (approximately 25°C). Emission levels are reported as the total A-weighted sound power levels for steady state, idle, and active seeks modes of operation.

Table 5: Drive A-weighted Sound Power Levels (SWL, BA)

| Idle* | Performance seek |
|----------------------------------|----------------------------------|
| 2.3 bels (typ) 2.5 bels (max) | 2.5 bels (typ) 2.7 bels (max) |

*During periods of drive idle, some offline activity may occur according to the S.M.A.R.T. specification, which may increase acoustic and power to operational levels.

Test for Prominent Discrete Tones (PDTs)

Seagate follows the ECMA-74 standards for measurement and identification of PDTs. An exception to this process is the use of the absolute threshold of hearing. Seagate uses the lower limit for the threshold curve* to discern tone audibility and to compensate for the inaudible components of sound prior to computation of tone ratios according to Annex D of the ECMA-74 standards.

*Defined as the median curve given by ISO 389-7 (Tf curve) minus 10dB at all frequencies.

2.12 Electromagnetic immunity

When properly installed in a representative host system, the drive operates without errors or degradation in performance when subjected to the radio frequency (RF) environments defined in the following table:

Table 6: Radio frequency environments

| Test | Description | Performance level | Reference standard |
|----------------------------------|---|-------------------|-----------------------------------|
| Electrostatic discharge | Contact, HCP, VCP: ± 4 kV; Air: ± 8 kV | B | EN 61000-4-2: 95 |
| Radiated RF immunity | 80 to 1,000 MHz, 3 V/m, 80% AM with 1 kHz sine 900 MHz, 3 V/m, 50% pulse modulation @ 200 Hz | A | EN 61000-4-3: 96 ENV 50204: 95 |
| Electrical fast transient | ± 1 kV on AC mains, ± 0.5 kV on external I/O | B | EN 61000-4-4: 95 |
| Surge immunity | ± 1 kV differential, ± 2 kV common, AC mains | B | EN 61000-4-5: 95 |
| Conducted RF immunity | 150 kHz to 80 MHz, 3 Vrms, 80% AM with 1 kHz sine | A | EN 61000-4-6: 97 |
| Power Frequency H-field immunity | 1 A/m, 50Hz/60Hz, 3 axes | A | EN 61000-4-8: 97 |
| Voltage dips, interrupts | 30% Reduction for 25 cycles >95% Reduction for 250 cycles >95%, 0.5 cycles | C C B | EN 61000-4-11: 94 |

2.13 Reliability

| Measurement type | Specification |
|---|---|
| Nonrecoverable read errors | 1 per 10 ¹⁴ bits read, max. |
| Annualized Failure Rate (AFR) | 0.5% |
| Load/Unload (U/UL) 25°C, 50% relative humidity 32°C, 80% relative humidity 5°C, 80% relative humidity 5°C, 10% relative humidity 55°C, 16% relative humidity | 600,000 software-controlled power on/off cycles 50,000 hard power on/off cycles 600,000 software-controlled power on/off cycles 50,000 hard power on/off cycles |
| Warranty | For information regarding Warranty Support, visit http://www.seagate.com/www/en-us/support/warranty_&_returns_assistance |

2.13.1 Free Fall Protection feature

The Free Fall Protection feature provides enhanced data protection against shock events that may occur while the drive is operating. This feature is designed to decrease the likelihood of data loss by detecting a free fall event and unloading the actuator before a shock takes place in falls of >8 inches (nominal). The drive uses a 0G sensor mounted on the printed circuit board assembly (PCBA) to sense this event.

To enable the Free Fall Protection feature on ST9500420ASG, ST9320423ASG, ST9250410ASG, ST9160412ASG, ST9120410ASG and ST980412ASG models, use Set Features command 41h. To disable this feature, use Set Features command C1h.

Information about Free Fall Events that have occurred is available through SMART Attribute FEh.

Note. The Free Fall Protection feature is provided only on ST9500420ASG, ST9320423ASG, ST9250410ASG, ST9160412ASG, ST9120410ASG and ST980412ASG models.

2.14 Agency certification

2.14.1 Safety certification

The drives are recognized in accordance with UL 60950-1 and CSA C22.2 (950) and meet all applicable sections of IEC 60950-1 and EN60950-1 as tested by TUV North America.

2.14.2 Electromagnetic compatibility

Hard drives that display the CE mark comply with the European Union (EU) requirements specified in the Electromagnetic Compatibility Directive (89/336/EEC). Testing is performed to the levels specified by the product standards for Information Technology Equipment (ITE). Emission levels are defined by EN 55022, Class B and the immunity levels are defined by EN 55024.

Seagate uses an independent laboratory to confirm compliance with the EC directives specified in the previous paragraph. Drives are tested in representative end-user systems. Although CE-marked Seagate drives comply with the directives when used in the test systems, we cannot guarantee that all systems will comply with the directives. The drive is designed for operation inside a properly designed enclosure, with properly shielded I/O cable (if necessary) and terminators on all unused I/O ports. Computer manufacturers and system integrators should confirm EMC compliance and provide CE marking for their products.

Korean BCC

If these drives have the Korea Ministry of Information and Communication (MIC) logo, they comply with paragraph 1 of Article 11 of the Electromagnetic Compatibility control Regulation and meet the Electromagnetic Compatibility (EMC) Framework requirements of the Broadcasting Communications Center (BCC) Ministry of Information and Communication Republic of Korea.

These drives have been tested and comply with the Electromagnetic Interference/Electromagnetic Susceptibility (EMI/EMS) for Class B products. Drives are tested in a representative, end-user system by a Korean-recognized lab.

- Certificate number: STX-72004 (B)
- Trade name or applicant: Seagate Technology LLC
- Date of certificate: October 30, 2008
- Manufacturer/nationality: USA and China

Australian C-Tick (N176)

If these models have the C-Tick marking, they comply with the Australia/New Zealand Standard AS/NZS3548 1995 and meet the Electromagnetic Compatibility (EMC) Framework requirements of the Australian Communication Authority (ACA).

2.14.3 FCC verification

These drives are intended to be contained solely within a personal computer or similar enclosure (not attached as an external device). As such, each drive is considered to be a subassembly even when it is individually marketed to the customer. As a subassembly, no Federal Communications Commission verification or certification of the device is required.

Seagate Technology LLC has tested this device in enclosures as described above to ensure that the total assembly (enclosure, disc drive, motherboard, power supply, etc.) does comply with the limits for a Class B computing device, pursuant to Subpart J, Part 15 of the FCC rules. Operation with noncertified assemblies is likely to result in interference to radio and television reception.

Radio and television interference. This equipment generates and uses radio frequency energy and if not installed and used in strict accordance with the manufacturer's instructions, may cause interference to radio and television reception.

This equipment is designed to provide reasonable protection against such interference in a residential installation. However, there is no guarantee that interference will not occur in a particular installation. If this equipment does cause interference to radio or television, which can be determined by turning the equipment on and off, you are encouraged to try one or more of the following corrective measures:

- Reorient the receiving antenna.
- Move the device to one side or the other of the radio or TV.
- Move the device farther away from the radio or TV.
- Plug the computer into a different outlet so that the receiver and computer are on different branch outlets.

If necessary, you should consult your dealer or an experienced radio/television technician for additional suggestions. You may find helpful the following booklet prepared by the Federal Communications Commission: *How to Identify and Resolve Radio-Television Interference Problems*. This booklet is available from the Superintendent of Documents, U.S. Government Printing Office, Washington, DC 20402. Refer to publication number 004-000-00345-4.

2.15 Environmental protection

Seagate designs its products to meet environmental protection requirements worldwide, including regulations restricting certain chemical substances.

2.15.1 European Union Restriction of Hazardous Substances (RoHS)

Seagate designs its products to meet environmental protection requirements worldwide, including regulations restricting certain chemical substances. A new law, the European Union Restriction of Hazardous Substances (RoHS) Directive, restricts the presence of chemical substances, including Lead, Cadmium, Mercury, Hexavalent Chromium, PBB and PBDE, in electronic products, effective July 2006. This drive is manufactured with components and materials that comply with the RoHS Directive..

2.15.2 China Restriction of Hazardous Substances (RoHS) Directive 中国限制危险物品的指令

This product has an Environmental Protection Use Period (EPUP) of 20 years. The following table contains information mandated by China's "Marking Requirements for Control of Pollution Caused by Electronic Information Products" Standard.



该产品具有20年的环境保护使用周期（EPUP）。下表包含了中国“电子产品所导致的污染的控制的记号要求”所指定的信息。

| Name of Parts 部件名称 | Toxic or Hazardous Substances or Elements有毒有害物质或元素 | | | | | |
|-----------------------|--|----------------------|----------------------|---|---|---|
| | Lead 铅 (Pb) | Mercury 汞 (Hg) | Cadmium 镉 (Cd) | Hexavalent Chromium 六价铬 (Cr6+) | Polybrominated Biphenyl 多溴联苯 (PBB) | Polybrominated Diphenyl Ether 多溴二苯醚 (PBDE) |
| PCBA | X | O | O | O | O | O |
| HDA | X | O | O | O | O | O |

"O" indicates the hazardous and toxic substance content of the part (at the homogenous material level) is lower than the threshold defined by the China RoHS MCV Standard.

“O”表示该部件（于同类物品程度上）所含的危险和有毒物质低于中国RoHS MCV标准所定义的门槛值。

"X" indicates the hazardous and toxic substance content of the part (at the homogenous material level) is over the threshold defined by the China RoHS MCV Standard.

“X”表示该部件（于同类物品程度上）所含的危险和有毒物质超出中国RoHS MCV标准所定义的门槛值。

2.16 Corrosive environment

Seagate electronic drive components pass accelerated corrosion testing equivalent to 10 years exposure to light industrial environments containing sulfurous gases, chlorine and nitric oxide, classes G and H per ASTM B845. However, this accelerated testing cannot duplicate every potential application environment.

Users should use caution exposing any electronic components to uncontrolled chemical pollutants and corrosive chemicals as electronic drive component reliability can be affected by the installation environment. The silver, copper, nickel and gold films used in Seagate products are especially sensitive to the presence of sulfide, chloride, and nitrate contaminants. Sulfur is found to be the most damaging. In addition, electronic components should never be exposed to condensing water on the surface of the printed circuit board assembly (PCBA) or exposed to an ambient relative humidity greater than 95%. Materials used in cabinet fabrication, such as vulcanized rubber, that can outgas corrosive compounds should be minimized or eliminated. The useful life of any electronic equipment may be extended by replacing materials near circuitry with sulfide-free alternatives.

3.0 Configuring and mounting the drive

This section contains the specifications and instructions for configuring and mounting the drive.

3.1 Handling and static-discharge precautions

After unpacking, and before installation, the drive may be exposed to potential handling and electrostatic discharge (ESD) hazards. Observe the following standard handling and static-discharge precautions:

Caution:

- Keep the drive in the electrostatic discharge (ESD) bag until you are ready for installation to limit the drive's exposure to ESD.
- Before handling the drive, put on a grounded wrist strap, or ground yourself frequently by touching the metal chassis of a computer that is plugged into a grounded outlet. Wear a grounded wrist strap throughout the entire installation procedure.
- Handle the drive only by its edges or frame.
- The drive is fragile—handle it with care. Do not press down on the drive top cover.
- Always rest the drive on a padded, antistatic surface until you mount it in the computer.
- Do not touch the connector pins or the printed circuit board.
- Do not remove the factory-installed labels from the drive or cover them with additional labels. Removal voids the warranty. Some factory-installed labels contain information needed to service the drive. Other labels are used to seal out dirt and contamination.

3.2 Configuring the drive

Each drive on the Serial ATA interface connects in a point-to-point configuration with the Serial ATA host adapter. There is no master/slave relationship because each drive is considered a master in a point-to-point relationships. If two drives are attached on one Serial ATA host adapter, the host operating system views the two devices as if they were both “masters” on two separate ports. This means both drives behave as if they are Device 0 (master) devices.

Serial ATA drives are designed for easy installation with no jumpers, terminators, or other settings. It is not necessary to set any jumpers on this drive for proper operation. The jumper block adjacent to the signal connector is for factory use only.

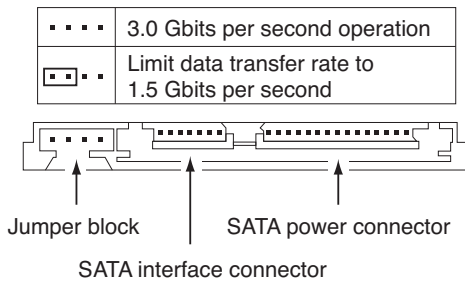


Figure 2. Serial ATA connectors

3.3 Serial ATA cables and connectors

The Serial ATA interface cable consists of four conductors in two differential pairs, plus three ground connections. The cable size may be 30 to 26 AWG with a maximum length of one meter (39.37 inches). See Table 7 for connector pin definitions. Either end of the SATA signal cable can be attached to the drive or host.

For direct backplane connection, the drive connectors are inserted directly into the host receptacle. The drive and the host receptacle incorporate features that enable the direct connection to be hot pluggable and blind mateable.

For installations which require cables, you can connect the drive as illustrated in Figure 3.

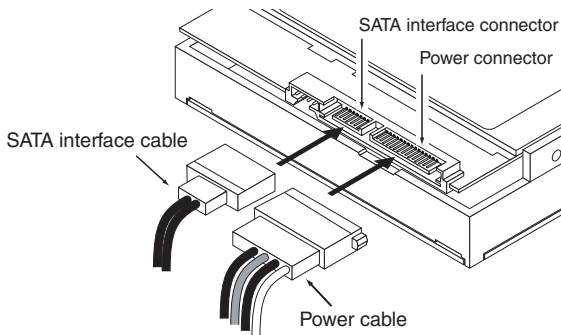


Figure 3. Attaching SATA cabling

Each cable is keyed to ensure correct orientation.

3.4 Drive mounting

You can mount the drive using four screws in the side-mounting holes or four screws in the bottom-mounting holes. See Figure 4 for drive mounting dimensions. Follow these important mounting precautions when mounting the drive:

- Allow a minimum clearance of 0.030 inches (0.76 mm) around the entire perimeter of the drive for cooling.
- Use only M3 UNC mounting screws.
- Do not overtighten the mounting screws (maximum torque: 4.0 inch-lb).
- Four (4) threads (0.080 inches) minimum screw engagement recommended.

Measurements shown in Figure 4 are in inches.

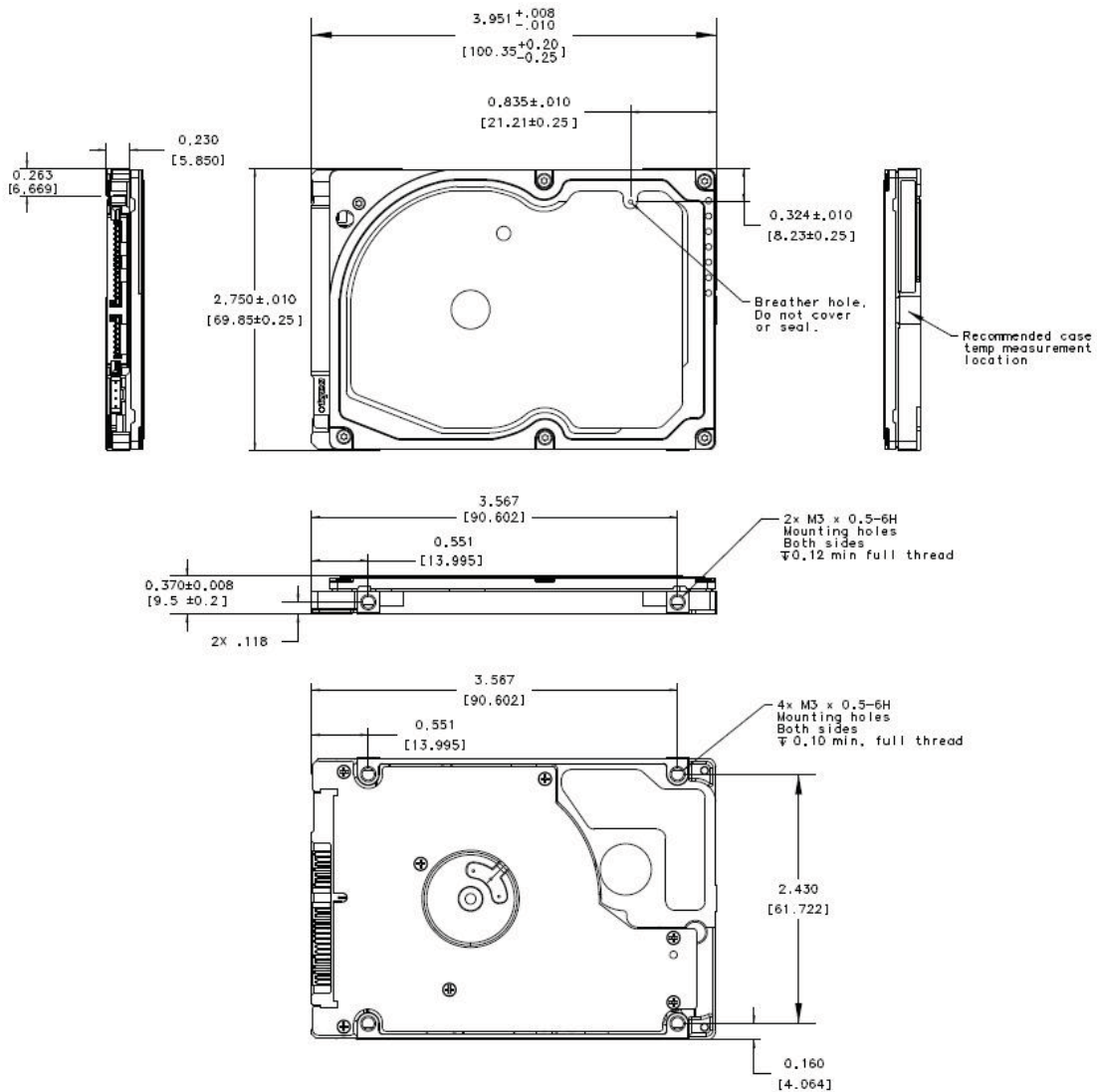


Figure 4. Mounting dimensions—top, side and end view

4.0 Serial ATA (SATA) interface

These drives use the industry-standard Serial ATA interface that supports FIS data transfers. It supports ATA programmed input/output (PIO) modes 0–4; multiword DMA modes 0–2, and Ultra DMA modes 0–6. The drive also supports the use of the IORDY signal to provide reliable high-speed data transfers.

For detailed information about the Serial ATA interface, refer to the “Serial ATA: High Speed Serialized AT Attachment” specification.

4.1 Hot-Plug compatibility

Momentum 7200.4 SATA drives incorporate connectors which enable you to hot plug these drives in accordance with the Serial ATA: High Speed Serialized AT Attachment specification revision 2.0. This specification can be downloaded from <http://www.serialata.org>. This device requires a COMRESET from the host after a hotplug event.

4.2 Serial ATA device plug connector pin definitions

Table 7 summarizes the signals on the Serial ATA interface and power connectors..

Table 7: Serial ATA connector pin definitions

| Segment | Pin | Function | Definition |
|---------|-----|----------|-------------------------------------|
| Signal | S1 | Ground | 2nd mate |
| | S2 | A+ | Differential signal pair A from Phy |
| | S3 | A- | |
| | S4 | Ground | 2nd mate |
| | S5 | B- | Differential signal pair B from Phy |
| | S6 | B+ | |
| | S7 | Ground | 2nd mate |

Key and spacing separate signal and power segments

| | | | |
|-------|-----|-----------------|--|
| Power | P1 | V ₃₃ | 3.3V power |
| | P2 | V ₃₃ | 3.3V power |
| | P3 | V ₃₃ | 3.3V power, pre-charge, 2nd mate |
| | P4 | Ground | 1st mate |
| | P5 | Ground | 2nd mate |
| | P6 | Ground | 2nd mate |
| | P7 | V ₅ | 5V power, pre-charge, 2nd mate |
| | P8 | V ₅ | 5V power |
| | P9 | V ₅ | 5V power |
| | P10 | Ground | 2nd mate |
| | P11 | Reserved | The pin corresponding to P11 in the backplane receptacle connector is also reserved The corresponding pin to be mated with P11 in the power cable receptacle connector shall always be grounded |
| | P12 | Ground | 1st mate. |
| | P13 | V ₁₂ | 12V power, pre-charge, 2nd mate |
| | P14 | V ₁₂ | 12V power |
| | P15 | V ₁₂ | 12V power |

- All pins are in a single row, with a 1.27 mm (0.050") pitch.
- The comments on the mating sequence apply to the case of backplane blindmate connector only. In this case, the mating sequences are:
 - the ground pins P4 and P12.
 - the pre-charge power pins and the other ground pins.
 - the signal pins and the rest of the power pins.
- There are three power pins for each voltage. One pin from each voltage is used for pre-charge when installed in a blind-mate backplane configuration.
- All used voltage pins (V_x) must be terminated.

4.3 Supported ATA commands

The following table lists Serial ATA standard commands that the drive supports. For a detailed description of the ATA commands, refer to the Serial ATA: High Speed Serialized AT Attachment specification. See “S.M.A.R.T. commands” on page 31 for details and subcommands used in the S.M.A.R.T. implementation.

| Command name | Command code (in hex) |
|-------------------------------------|-----------------------|
| ATA-standard commands | |
| Device Configuration Restore | B1h/C0h |
| Device Configuration Freeze Lock | B1h/C1h |
| Device Configuration Identify | B1h/C2h |
| Device Configuration Set | B1h/C3h |
| Download Microcode | 92h |
| Execute Device Diagnostics | 90h |
| Flush Cache | E7h |
| Flush Cache Extended | EAh |
| Identify Device | ECh |
| Initialize Device Parameters | 91h |
| Read Buffer | E4h |
| Read DMA | C8h |
| Read DMA Extended | 25h |
| Read DMA without Retries | C9h |
| Read Long with Retries | 22h |
| Read Long without Retries | 23h |
| Read Multiple | C4h |
| Read Multiple Extended | 29h |
| Read Native Max Address | F8h |
| Read Native Max Address Extended | 27h |
| Read Sectors | 20h |
| Read Sectors Extended | 24h |
| Read Sectors without Retries | 21h |
| Read Verify Sectors | 40h |
| Read Verify Sectors Extended | 42h |
| Read Verify Sectors without Retries | 41h |
| Seek | 70h |
| Set Features | EFh |
| Set Max Address | F9h |

| Command name | Command code (in hex) | |
|--|---|---|
| Note: Individual Set Max commands are identified by the value placed in the Set Max Features register as defined to the right. | Address: Password: Lock: Unlock: Freeze Lock: | 00 _H 01 _H 02 _H 03 _H 04 _H |
| Set Multiple Mode | C6h | |
| S.M.A.R.T. Disable Operations | B0h/D9h | |
| S.M.A.R.T. Enable/Disable Autosave | B0h/D2h | |
| S.M.A.R.T. Enable Operations | B0h/D8h | |
| S.M.A.R.T. Enable/Disable Auto Offline | B0h/DBh | |
| S.M.A.R.T. Enable One Attribute Modification | B0h/E0h | |
| S.M.A.R.T. Execute Offline | B0h/D4h | |
| S.M.A.R.T. Free Fall Protection Host Interface | FEh | |
| S.M.A.R.T. Read Attribute Thresholds | B0h/D1h | |
| S.M.A.R.T. Read Data | B0h/D0h | |
| S.M.A.R.T. Read Log Sector | B0h/D5h | |
| S.M.A.R.T. Return Status | B0h/DAh | |
| S.M.A.R.T. Save Attribute Values | B0h/D3h | |
| S.M.A.R.T. Write Attribute Thresholds | B0h/D7h | |
| S.M.A.R.T. Write Attribute Values | B0h/E1h | |
| S.M.A.R.T. Write Log Sector | B0h/D6h | |
| Write Buffer | E8h | |
| Write DMA | CAh | |
| Write DMA Extended | 35h | |
| Write DMA without Retries | CBh | |
| Write Long with Retries | 32h | |
| Write Long without Retries | 33h | |
| Write Multiple | C5h | |
| Write Multiple Extended | 39h | |
| Write Sectors | 30h, 31h | |
| Write Sectors Extended | 34h | |
| ATA-standard power-management commands | | |
| Check Power Mode | E5h | |
| Idle | E3h | |
| Idle Immediate | E1h | |
| Sleep | E6h | |
| Standby | E2h | |

| Command name | Command code (in hex) |
|---------------------------------------|-----------------------|
| Standby Immediate | E0h |
| ATA-standard security commands | |
| Security Set Password | F1h |
| Security Unlock | F2h |
| Security Erase Prepare | F3h |
| Security Erase Unit | F4h |
| Security Freeze Lock | F5h |
| Security Disable Password | F6h |

4.3.1 Identify Device command

The Identify Device command (command code EC_H) transfers information about the drive to the host following power up. The data is organized as a single 512-byte block of data, whose contents are shown in the table on page 27. All reserved bits or words should be set to zero. Parameters listed with an “x” are drive-specific or vary with the state of the drive. See Section 2.0 on page 3 for default parameter settings.

The following commands contain drive-specific features that may not be included in the Serial ATA specification.

| Word | Description | Value |
|-------|--|-------------------|
| 0 | Configuration information: • Bit 15: 0 = ATA; 1 = ATAPI • Bit 7: removable media • Bit 6: removable controller • Bit 0: reserved | 0C5A _H |
| 1 | Number of logical cylinders | 16,383 |
| 2 | ATA-reserved | 0000 _H |
| 3 | Number of logical heads | 16 |
| 4 | Retired | 0000 _H |
| 5 | Retired | 0000 _H |
| 6 | Number of logical sectors per logical track: 63 | 003F _H |
| 7–9 | Retired | 0000 _H |
| 10–19 | Serial number: (20 ASCII characters, 0000 _H = none) | ASCII |
| 20 | Retired | 0000 _H |
| 21 | Retired | 0400 _H |
| 22 | Obsolete | 0000 _H |
| 23–26 | Firmware revision (8 ASCII character string, padded with blanks to end of string) | x.xx |

| Word | Description | Value |
|-------|---|--|
| 27–46 | Drive model number: (40 ASCII characters, padded with blanks to end of string) | ST9500420AS ST9500420ASG ST9320423AS ST9320423ASG ST9250410AS ST9250410ASG ST9160412AS ST9160412ASG ST9120410AS ST9120410ASG ST980412AS ST980412ASG |
| 47 | (Bits 7–0) Maximum sectors per interrupt on Read multiple and Write multiple (16) | 8010 _H |
| 48 | Reserved | 0000 _H |
| 49 | Standard Standby timer, IORDY supported and may be disabled | 2F00 _H |
| 50 | ATA-reserved | 0000 _H |
| 51 | PIO data-transfer cycle timing mode | 0200 _H |
| 52 | Retired | 0200 _H |
| 53 | Words 54–58, 64–70 and 88 are valid | 0007 _H |
| 54 | Number of current logical cylinders | xxxx _H |
| 55 | Number of current logical heads | xxxx _H |
| 56 | Number of current logical sectors per logical track | xxxx _H |
| 57–58 | Current capacity in sectors | xxxx _H |
| 59 | Number of sectors transferred during a Read Multiple or Write Multiple command | xxxx _H |
| 60–61 | Total number of user-addressable sectors This field contains a value that is one greater than the total number of user-addressable sectors. The maximum value that shall be placed in this field is 0FFFFFFFh. The 0FFFFFFFh value applies to all capacities over 137Gbytes (see Section 2.2 and 2.3 for related information). | ST9500420AS = 0FFFFFFFh ST9500420ASG = 0FFFFFFFh ST9320423AS = 0FFFFFFFh ST9320423ASG = 0FFFFFFFh ST9250410AS = 0FFFFFFFh ST9250410ASG = 0FFFFFFFh ST9160412AS = 0FFFFFFFh ST9160412ASG = 0FFFFFFFh ST9120410AS = 234,441,648 ST9120410ASG = 234,441,648 ST980412AS = 156,301,488 ST980412ASG = 156,301,488 |
| 62 | Retired | 0000 _H |
| 63 | Multiword DMA active and modes supported (see note following this table) | xx07 _H |
| 64 | Advanced PIO modes supported (modes 3 and 4 supported) | 0003 _H |
| 65 | Minimum multiword DMA transfer cycle time per word (120 nsec) | 0078 _H |
| 66 | Recommended multiword DMA transfer cycle time per word (120 nsec) | 0078 _H |
| 67 | Minimum PIO cycle time without IORDY flow control (240 nsec) | 00F0 _H |
| 68 | Minimum PIO cycle time with IORDY flow control (120 nsec) | 0078 _H |

| Word | Description | Value |
|---------|---|--|
| 69–74 | ATA-reserved | 0000 _H |
| 75 | Queue depth | 0000 _H |
| 76 | Serial ATA capabilities | 0508 _H |
| 77 | ATA-reserved | 0000 _H |
| 78 | Serial ATA features supported | 0048 _H |
| 79 | Serial ATA features enabled | 0040 _H |
| 80 | Major version number | 003E _H |
| 81 | Minor version number | 0000 _H |
| 82 | Command sets supported | 306B _H |
| 83 | Command sets supported | 4001 _H |
| 84 | Command sets support extension | 61E3 _H |
| 85 | Command sets enabled | 30xx _H |
| 86 | Command sets enabled | 0001 _H |
| 87 | Command sets enable extension | 4000 _H |
| 88 | Ultra DMA support and current mode (see note following this table) | xx7F _H |
| 89 | Security erase time | 0000 _H |
| 90 | Enhanced security erase time | 0000 _H |
| 92 | Master password revision code | FFFE _H |
| 93 | Hardware reset value (see description following this table) | xxxx _H |
| 94 | Auto acoustic management setting | xxxx _H |
| 95–99 | ATA-reserved | 0000 _H |
| 100–103 | Total number of user-addressable LBA sectors available (see Section 2.2 for related information) These words are required for drives that support the 48-bit addressing feature. Maximum value: 0000FFFFFFFFFh. | ST9500420AS = 976,773,168 ST9500420ASG = 976,773,168 ST9320423AS = 625,142,448 ST9320423ASG = 625,142,448 ST9250410AS = 488,397,168 ST9250410ASG = 488,397,168 ST9160412AS = 312,581,808 ST9160412ASG = 312,581,808 ST9120410AS = 234,441,648 ST9120410ASG = 234,441,648 ST980412AS = 156,301,488 ST980412ASG = 156,301,488 |
| 104–118 | ATA-reserved | 0000 _H |
| 119 | Free Fall Protection support (bit 5) | 1 = Free Fall Protection supported 0 = Free Fall Protection not supported |
| 120 | Free Fall Protection enable/disable (bit 5) | 1 = Free Fall Protection feature is enabled 0 = Free Fall Protection feature is disabled |
| 121–127 | ATA-reserved | 0000 _H |
| 128 | Security status | 0001 _H |

| Word | Description | Value |
|---------|------------------|-------------------|
| 129–159 | Seagate-reserved | xxxx _H |
| 160–254 | ATA-reserved | 0000 _H |
| 255 | Integrity word | xxA5 _H |

Note. See the bit descriptions below for words 63, 88, 93 and 94 of the Identify Drive data:

Description (if bit is set to 1)

| Bit | Word 63 |
|-----|--|
| 0 | Multiword DMA mode 0 is supported. |
| 1 | Multiword DMA mode 1 is supported. |
| 2 | Multiword DMA mode 2 is supported. |
| 8 | Multiword DMA mode 0 is currently active. |
| 9 | Multiword DMA mode 1 is currently active. |
| 10 | Multiword DMA mode 2 is currently active. |
| Bit | Word 88 |
| 0 | Ultra DMA mode 0 is supported. |
| 1 | Ultra DMA mode 1 is supported. |
| 2 | Ultra DMA mode 2 is supported. |
| 3 | Ultra DMA mode 3 is supported. |
| 4 | Ultra DMA mode 4 is supported. |
| 5 | Ultra DMA mode 5 is supported |
| 6 | Ultra DMA mode 6 is supported |
| 8 | Ultra DMA mode 0 is currently active. |
| 9 | Ultra DMA mode 1 is currently active. |
| 10 | Ultra DMA mode 2 is currently active. |
| 11 | Ultra DMA mode 3 is currently active. |
| 12 | Ultra DMA mode 4 is currently active. |
| 13 | Ultra DMA mode 5 is currently active. |
| 14 | Ultra DMA mode 6 is currently active. |
| Bit | Word 93 |
| 13 | 1 = 80-conductor cable detected, CBLID above V _{IH} 0 = 40-conductor cable detected, CBLID below V _{IL} |

4.3.2 Set Features command

This command controls the implementation of various features that the drive supports. When the drive receives this command, it sets BSY, checks the contents of the Features register, clears BSY and generates an interrupt. If the value in the register does not represent a feature that the drive supports, the command is aborted. Power-on default has the read look-ahead and write caching features enabled. The acceptable values for the Features register are defined as follows:

Table 8: Set Features command values

| | |
|-----------------|---|
| 02 _H | Enable write cache (<i>default</i>). |
| 03 _H | Set transfer mode (based on value in Sector Count register). Sector Count register values: |
| 00 _H | Set PIO mode to default (PIO mode 2). |
| 01 _H | Set PIO mode to default and disable IORDY (PIO mode 2). |
| 08 _H | PIO mode 0 |
| 09 _H | PIO mode 1 |
| 0A _H | PIO mode 2 |
| 0B _H | PIO mode 3 |
| 0C _H | PIO mode 4 (<i>default</i>) |
| 20 _H | Multiword DMA mode 0 |
| 21 _H | Multiword DMA mode 1 |
| 22 _H | Multiword DMA mode 2 |
| 40 _H | Ultra DMA mode 0 |
| 41 _H | Ultra DMA mode 1 |
| 42 _H | Ultra DMA mode 2 |
| 43 _H | Ultra DMA mode 3 |
| 44 _H | Ultra DMA mode 4 |
| 45 _H | Ultra DMA mode 5 |
| 46 _H | Ultra DMA mode 6 |
| 55 _H | Disable read look-ahead (read cache) feature. |
| 82 _H | Disable write cache |
| AA _H | Enable read look-ahead (read cache) feature (<i>default</i>). |
| F1 _H | Report full capacity available |

Note. At power-on, or after a hardware or software reset, the default values of the features are as indicated above.

4.3.3 S.M.A.R.T. commands

S.M.A.R.T. provides near-term failure prediction for disc drives. When S.M.A.R.T. is enabled, the drive monitors predetermined drive attributes that are susceptible to degradation over time. If self-monitoring determines that a failure is likely, S.M.A.R.T. makes a status report available to the host. Not all failures are predictable. S.M.A.R.T. predictability is limited to the attributes the drive can monitor. For more information on S.M.A.R.T. commands and implementation, see the *Draft ATA-8 Standard*.

SeaTools diagnostic software activates a built-in drive self-test (DST S.M.A.R.T. command for D4_H) that eliminates unnecessary drive returns. The diagnostic software ships with all new drives and is also available at: <http://seatools.seagate.com>.

This drive is shipped with S.M.A.R.T. features disabled. You must have a recent BIOS or software package that supports S.M.A.R.T. to enable this feature. The table below shows the S.M.A.R.T. command codes that the drive uses.

Table 9: S.M.A.R.T. commands

| Code in features register | S.M.A.R.T. command |
|---------------------------|--|
| D0 _H | S.M.A.R.T. Read Data |
| D1 _H | Vendor-specific |
| D2 _H | S.M.A.R.T. Enable/Disable Attribute Autosave |
| D3 _H | S.M.A.R.T. Save Attribute Values |
| D4 _H | S.M.A.R.T. Execute Off-line Immediate (runs DST) |
| D5 _H | S.M.A.R.T. Read Log Sector |
| D6 _H | S.M.A.R.T. Write Log Sector |
| D7 _H | Vendor-specific |
| D8 _H | S.M.A.R.T. Enable Operations |
| D9 _H | S.M.A.R.T. Disable Operations |
| DA _H | S.M.A.R.T. Return Status |

Note. If an appropriate code is not written to the Features Register, the command is aborted and 0x04 (abort) is written to the Error register.

5.0 Seagate Technology support services

SEAGATE ONLINE SUPPORT and SERVICES

For information regarding products and services, visit http://www.seagate.com/www/en-us/about/contact_us/

Available services include:

- Presales & Technical support
- Global Support Services telephone numbers & business hours
- Authorized Service Centers

For information regarding Warranty Support, visit

http://www.seagate.com/www/en-us/support/warranty_&_returns_assistance

For information regarding Data Recovery Services, visit <http://www.i365.com>

For Seagate OEM & Distribution partner portal, visit <https://direct.seagate.com/portal/system>

For Seagate reseller portal, visit <http://spp.seagate.com>

Index

A

- ACA 15
- acoustics 4, 13
- Active mode 11
- Address 24
- AFR 14
- Agency certification 15
- Altitude 12
- Altitude, nonoperating 4
- Altitude, operating 4
- Ambient temperature 4, 12
- ambient temperature 7
- Annualized Failure Rate 14
- Annualized Failure Rate (AFR) 4
- Areal density 3, 6
- ATA commands 24
- ATA data-transfer modes supported 3
- Australia/New Zealand Standard AS/NZS3548 1995 15
- Australian Communication Authority (ACA) 15
- Australian C-Tick 15
- Average seek time 7
- Average seek, read 3

B

- bels 4
- BPI 3
- buffer 3, 6
- Bytes per sector 3, 5

C

- cables and connectors 20
- Cache 3
- cache 6
- capacity 5
- case temperature 12
- CE mark 15
- certification 15
- Check Power Mode 25
- chemical substances 17
- China RoHS directive 17
- Class B computing device 15
- compatibility 15
- Conducted noise 10
- Conducted RF immunity 14
- Configuring the drive 19
- connectors 20
- CSA C22.2 (950) 15
- current 3
- cycles 14
- Cylinders 5

D

- data-transfer rates 1
- DC power 8
- Default logical geometry 5
- density 3
- Device Configuration Freeze Lock 24
- Device Configuration Restore 24
- Device Configuration Set 24
- Diagnostics 24
- dimensions 21
- Discs 3
- dissipation 8
- Download Microcode 24

E

- Electrical fast transient 14
- Electromagnetic compatibility 15
- Electromagnetic Compatibility Directive (89/336/EEC) 15
- Electromagnetic immunity 14
- Electrostatic discharge 14
- electrostatic discharge (ESD) 19
- EN 55022, Class B 15
- EN 55024 15
- EN 60950 15
- Environmental protection 17
- Environmental specifications 12
- error-correction algorithms 1
- errors 4, 14
- ESD 19
- EU 15
- European Union (EU) requirements 15
- European Union Restriction of Hazardous Substances 17
- evice Configuration Identify 24
- Execute Device Diagnostics 24

F

- FCC verification 15
- features 1
- Federal Communications Commission 15
- Flush Cache 24
- Flush Cache Extended 24
- Formatted capacity 5
- Formatted Gbytes 3
- Free Fall Protection feature 14
- Freeze Lock 24

G

- Gbytes 5
- geometry 5
- gradient 4
- Guaranteed sectors 3, 5

guaranteed sectors 5

H

handling 19
Handling precautions 19
heads 5
Height 3
height 6
humidity 4

I

I/O data-transfer rate 3, 6
Identify 24
Identify Device 24
Identify Device command 26
Idle 8, 25
Idle and Standby timers 11
Idle Immediate 25
Idle mode 4, 11
Idle mode power 8
IEC950 15
Information Technology Equipment (ITE) 15
Initialize Device Parameters 24
Input noise ripple 10
Interface 6
interface 22
Interleave 6
Internal data transfer rate 3
Internal data-transfer rate 6
ITE 15

K

Korean RRL 15

L

latency 3
LBA mode 5
Length 3
length 6
Load/Unload 14
logical geometry 5

M

master/slave 2
Max Address 24
maximum temperature 12
Microcode 24
mounting 21
mounting screws 12
mounting the drive 19

N

noise 10
nominal power 7
Nonoperating shock 13
Nonoperating vibration 13
Nonrecoverable read errors 4
nonrecoverable read errors 14

O

Operating shock 12
Operating vibration 13

P

Physical characteristics 6
Physical organization 5
Physical read/write heads 3
point-to-point 2, 20
Power consumption 8
power dissipation 8
power management 11
power on/off cycles 14
Power specifications 8
Power-management modes 11
Power-on to Ready 7
Power-on to ready 3
precautions 19, 21
programmable power management 11

Q

quick reference 3

R

Radiated RF immunity 14
Radio and television interference 15
radio frequency (RF) 14
random track location 8
Read Buffer 24
Read DMA 24
Read DMA Extended 24
Read DMA without Retries 24
read errors 4, 14
Read Long with Retries 24
Read Long without Retries 24
Read Multiple 24
Read Multiple Extended 24
Read Native Max Address 24
Read Native Max Address Extended 24
Read Sectors 24
Read Sectors Extended 24
Read Sectors without Retries 24
Read Verify Sectors 24
Read Verify Sectors Extended 24
Read Verify Sectors without Retries 24

- Read/write heads 5
- Read/write power 4
- read/write power and current 8
- Recording density 3, 6
- Recording method 6
- Recording technology 6
- Relative humidity 4, 12
- Reliability 14
- resistance 10
- Retries 24
- RF 14
- RoHS 17
- RPM 3
- RRL 15

S

- S.M.A.R.T. 25
- S.M.A.R.T. implementation 24
- Safety certification 15
- SATA 6, 22
- screws 12, 21
- sector 5
- sectors 5
- Sectors per track 5
- Security Disable Password 26
- Security Erase Prepare 26
- Security Erase Unit 26
- Security Freeze Lock 26
- Security Set Password 26
- Security Unlock 26
- Seek 24
- seek mode 8
- Seek power 3
- Seek time 7
- seek time 3
- Seeking 8
- Self refresh, low power 11
- Serial ATA 6
- Serial ATA (SATA) interface 22
- serial ATA ports 2
- servo electronics 8
- Set Features 24
- Set Max Address 24
- Set Multiple Mode 25
- Shock 12
- Shock, nonoperating 4
- Shock, operating 4
- single-track seeks 7
- Sleep 8, 25
- Sleep mode 4, 11
- sound power 4
- Specification summary table 3
- Spindle speed 3, 6
- Spinup 8
- spinup power 8

- Standby 8, 25
- Standby Immediate 26
- Standby mode 4, 8, 11
- Standby to Ready 7
- Standby to ready 3
- Start/stop times 7
- Startup current 3
- static-discharge 19
- support services 32
- Surge immunity 14

T

- technical support services 32
- temperature 4, 7, 12
- Temperature gradient 4, 12
- timers 11
- TPI 3
- Track density 3, 6
- Track-to-track seek time 3, 7
- TUV North America 15

U

- UL 1950 15

V

- Vibration 13
- Vibration, nonoperating 4
- Vibration, operating 4
- Voltage dips, interrupts 14
- Voltage tolerance 4, 10

W

- Warranty 14
- Weight 3
- weight 6
- Wet bulb temperature 4, 12
- Width 3
- width 6
- Write Buffer 25
- Write DMA 25
- Write DMA Extended 25
- Write Long with Retries 25
- Write Long without Retries 25
- Write Multiple 25
- Write Sectors 25



Seagate Technology LLC
920 Disc Drive, Scotts Valley, California 95066-4544, USA
Publication Number: 100534376, Rev. C